

IRONERS

 grandimpianti
intelligent laundry equipment

LESS CLUTTER,
MORE EFFICIENCY



GI ROLLER IRONERS

Ø 18CM

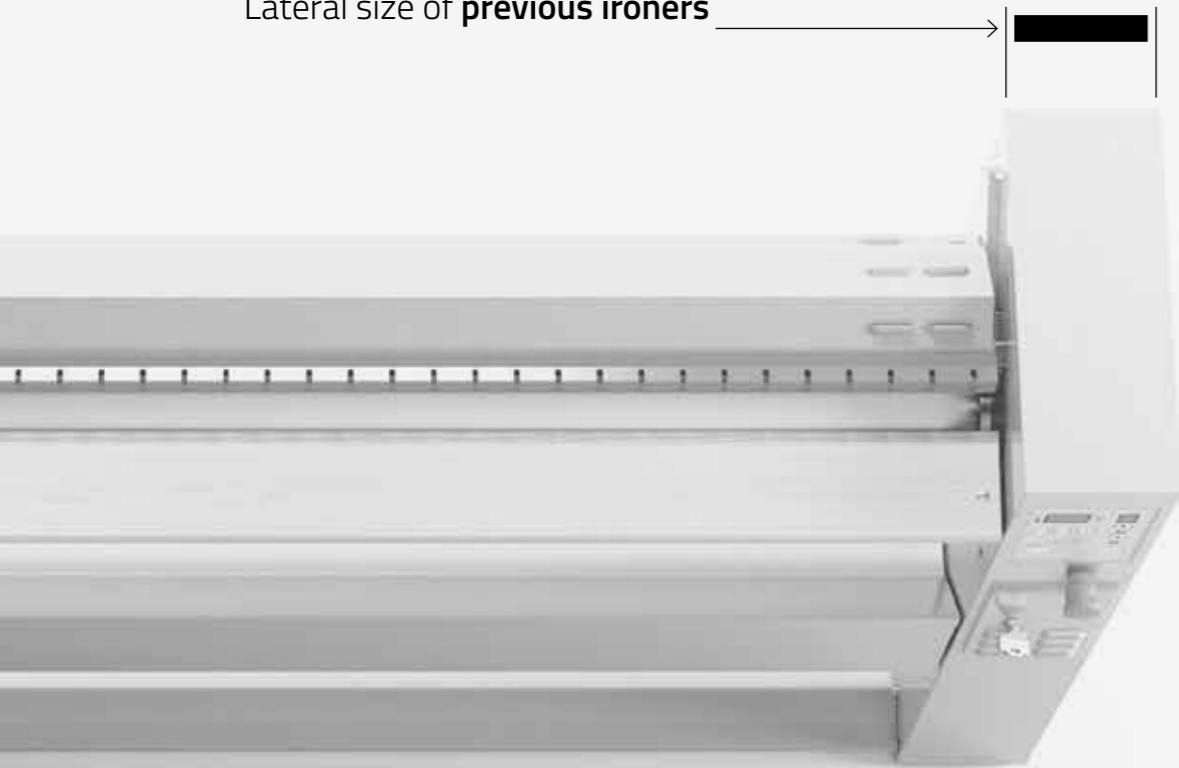
Ø 25CM

FOX CONTROL



THE VALUE OF SPACE

Lateral size of **previous ironers**



Lateral size of **new ironers**



MAKE ROOM TO YOUR BUSINESS

The new **GI ironers** offer **20%** less clutter with the same roller's length:

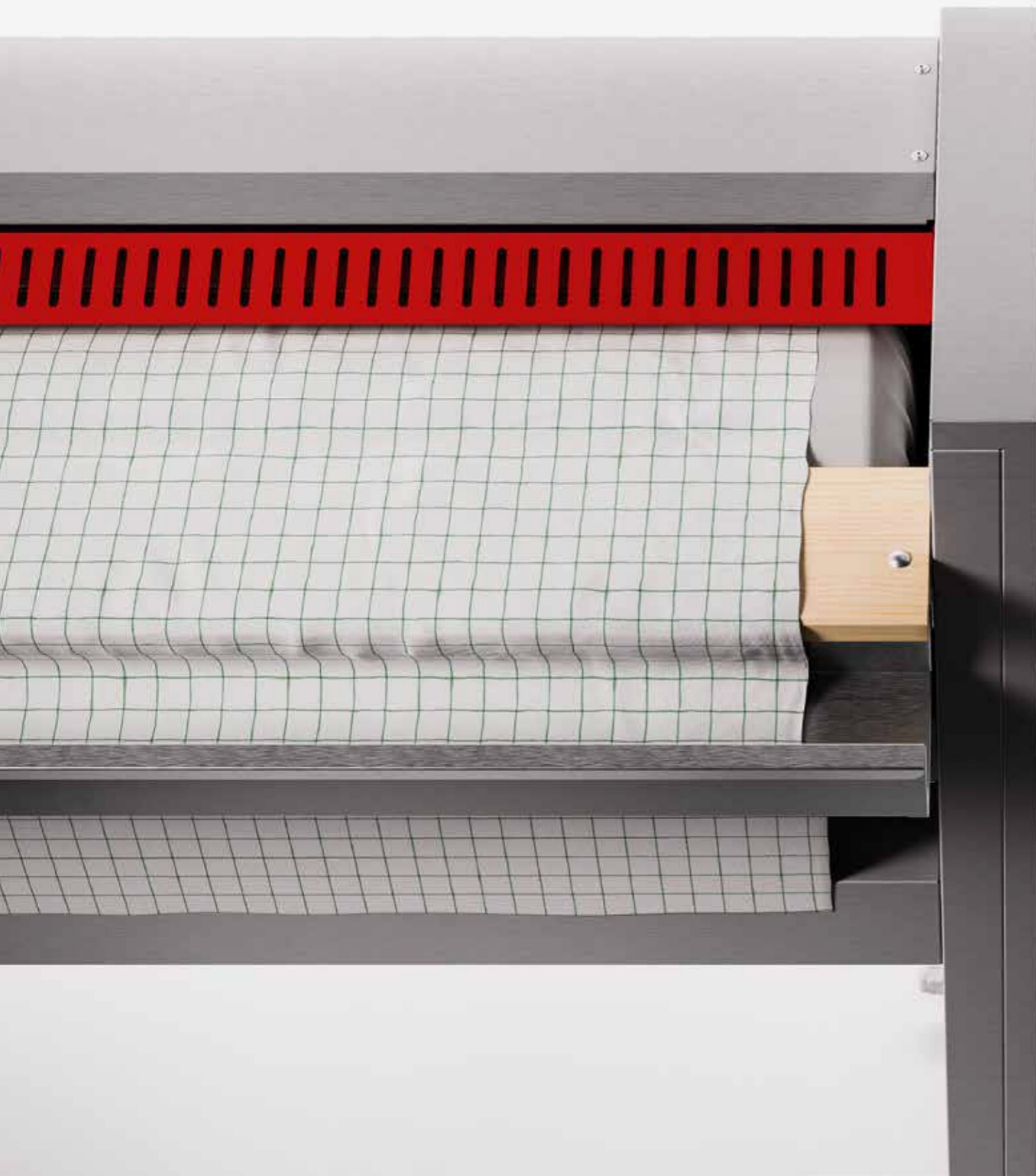
You'll have more liberty of movement in the workspaces

Small businesses will be able to increase their productivity by leaning them against the wall you can make the best of the spaces

20%

extra space in your laundry room

Designed around the roller and the plate, the new **GI ironers** offer better ironing results, higher productivity and optimized workspaces due to the innovative **MCTS (Multipoint Contact Thrust System)** and **PLS (Pull-wire Lifting System)** systems.



AN INNOVATIVE FLAWLESS SYSTEM

The new **Multipoint Contact Thrust System** increased the number of thrust points along the entire length of the ironing plate (the number depending on its size) ensuring excellent ironing performance in every part of the machine. Great flexibility in ironing is also possible due to the presence of a control that adjusts the intensity of thrust.

The possibility of adjusting temperature, rotation speed of the roller and thrust of the plate ensures, not only excellent ironing quality, but also great versatility of use, reliability of yield over time and uniformity in the duration of the entire machine.



THE THRUST YOU NEED

The thrust levels of the plate (4 in the models with FOX control) allow to iron a silk sheet as well as a pillowcase or duvet cover, ensuring always the same quality level.

PERFECT EVERYWHERE

The new **MCPS system** allows to iron large fabrics obtaining a uniform result on the whole ironing surface. Furthermore, it allows to iron with the same quality in every point of the machine, without the necessity to insert the garments in a specific point of the plate.

SAVINGS AND QUALITY

The high thermal conductivity of aluminium allows you to quickly and uniformly reach the operating temperature (from 20°C to 180°C in a few minutes) with excellent results in terms of energy savings and ironing quality.

NON-DEFORMABLE AND STRONG

Our ironing plate is made in extruded and anodized aluminium alloy, so it's extremely smooth, and remains structurally unaltered at any temperature (zero risk of distortion) and inert to chemical agents and corrosion (no damage caused by chlorine residues on the fabrics).

CENTRAL ASPIRATION - AVAILABLE ONLY FROM ROLLER DIAM. 25 AND ABOVE

Available only in the aspirated versions, the new **Uniform Moisture Extractor Fan (UMEF)** absorbs homogeneously excess moisture on the entire surface of the fabric. The extraction point has been placed now in the middle of the machine, so that the steam is aspirated everywhere with the same intensity and conveyed to a fan located on the left side and then down to the exhaust pipe located under the machine.



TO EACH HIS OWN ROLLER

We have **four different rollers' paddings**: basic, basic plus, intermediate and advanced.

1. BASIC

The basic, available for versions without aspiration, allows to iron linen with a percentage of residual humidity up to 15% and is equipped with a triple layer of soft steel wool, one of cotton felt and, then, an outer cotton coating.

2. BASIC PLUS

The second allows to iron linen with a percentage of residual humidity up to 15% and is equipped with a triple layer of soft steel wool, one of cotton felt and a final cover of aramidic fabric. Available for version without aspiration.

3. INTERMEDIATE

The intermediate is covered with a double layer of steel wool, one of cotton felt and a final cover of aramidic fabric, the roller is perforated and connected to the extraction system and used to iron linen with UR up to 20%.

4. ADVANCED

Finally, the advanced roller is perfect for treating linen with humidity residual up to 30%. It's perforated and connected to the extractor system; a special structure with movable plates (MAXPRESS®) guarantees maximum transpiration and requires only a aramidic felt cover.

SPEED UNDER CONTROL

According to the conditions of the fabric, **it's possible to adjust, standard, the rotation speed of the roller** with the aim of obtaining excellent ironing performance. A lower rotation is necessary in case of particularly wrinkled fabrics to obtain, in a single step, a perfect ironing result.

ERGONOMICS



Every detail of the new **GI ironers** has been designed to provide the operator with the most comfortable working position.

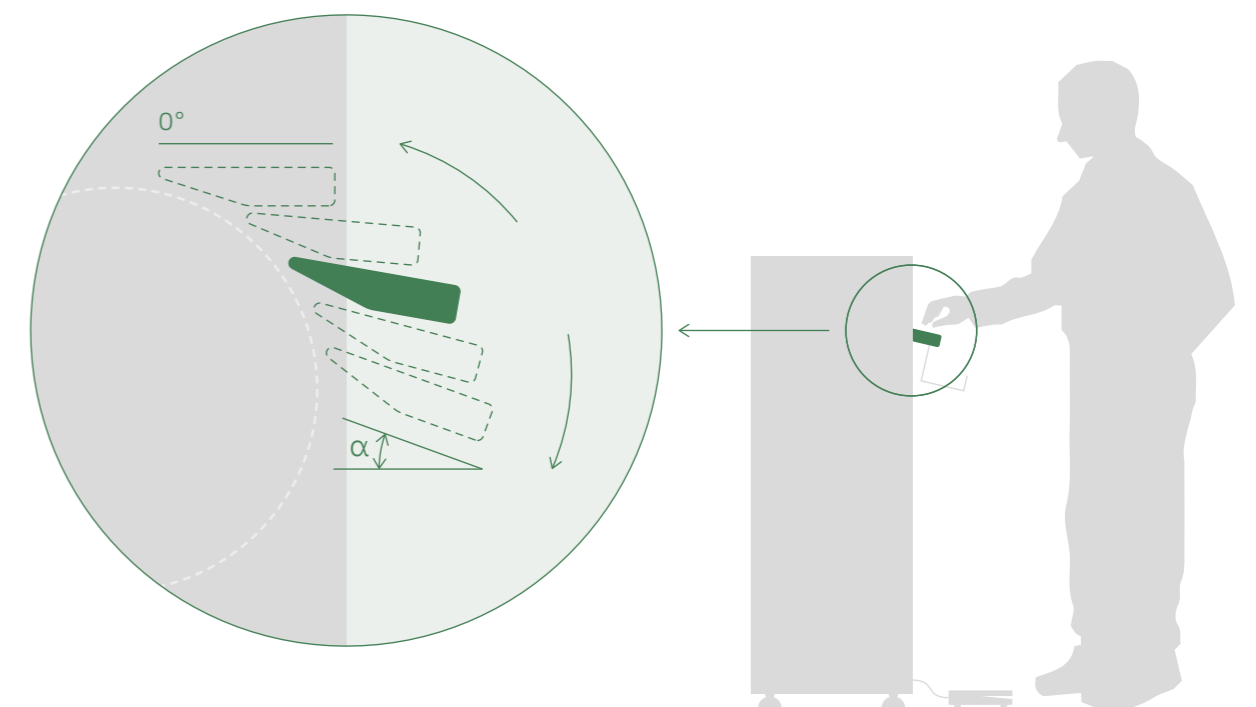
Such as the innovative **Adjustable Infeed Plate**: the wooden linen introduction axis, adjustable in different grades and back and forward, avoids overheating and electrostatic charge.

FOX side control for one-handed management

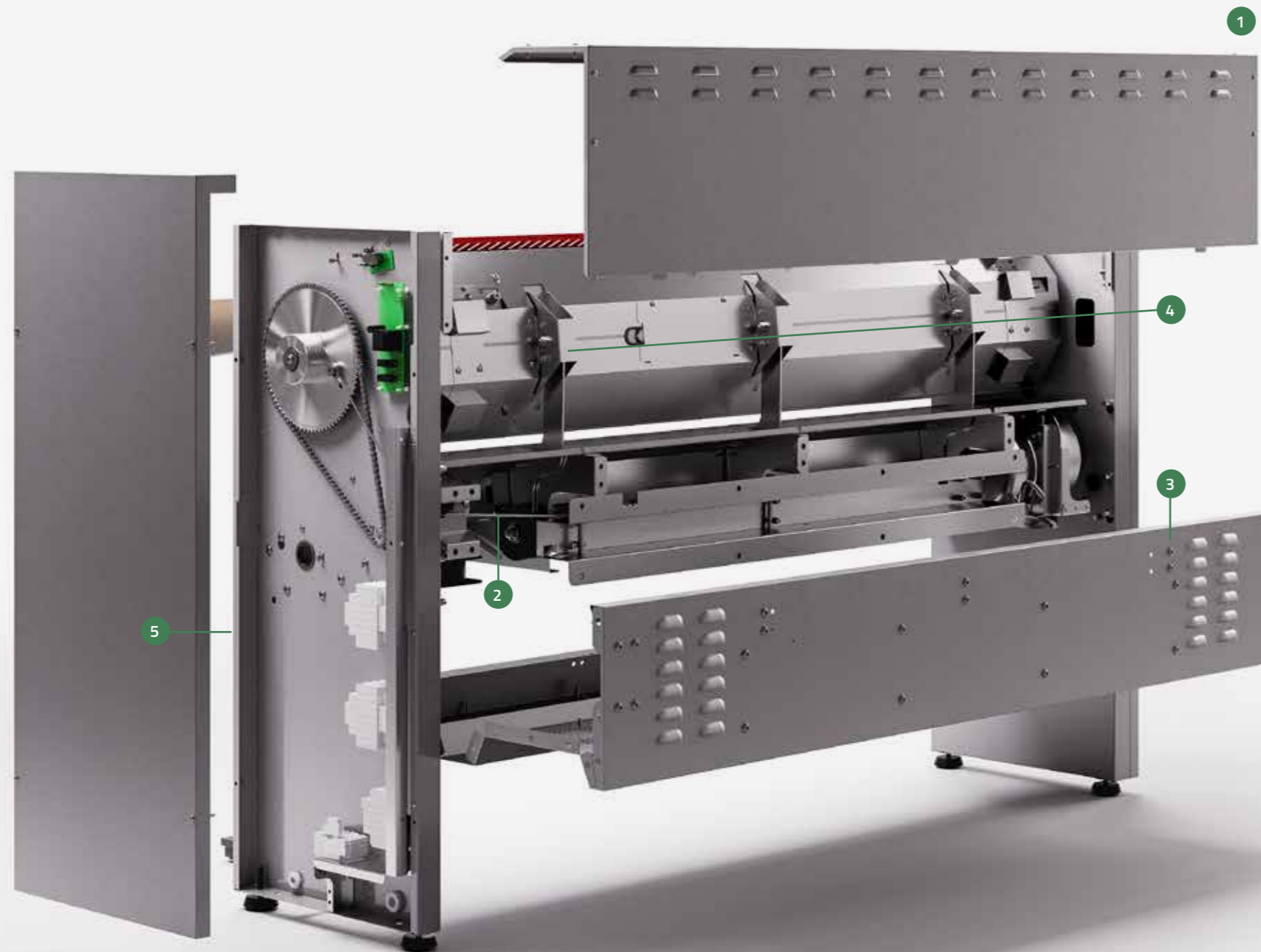
Increased roller surface to facilitate the introduction of fabrics, thanks to its driving function

Introduction height risen compared to the previous range to have a better and comfortable working position

Wooden board adjustable in different grades, depending on the height operator, to ensure maximum comfort



MAINTENANCE



Making the work in the laundry less burdensome also means avoiding unnecessary machine downtime, reducing component wear and significantly limiting maintenance interventions. For this reason in our equipment:

1. Everything is accessible by removing only 4 panels

4. The plate can be easily disassembled, unhooking it, for extraordinary interventions

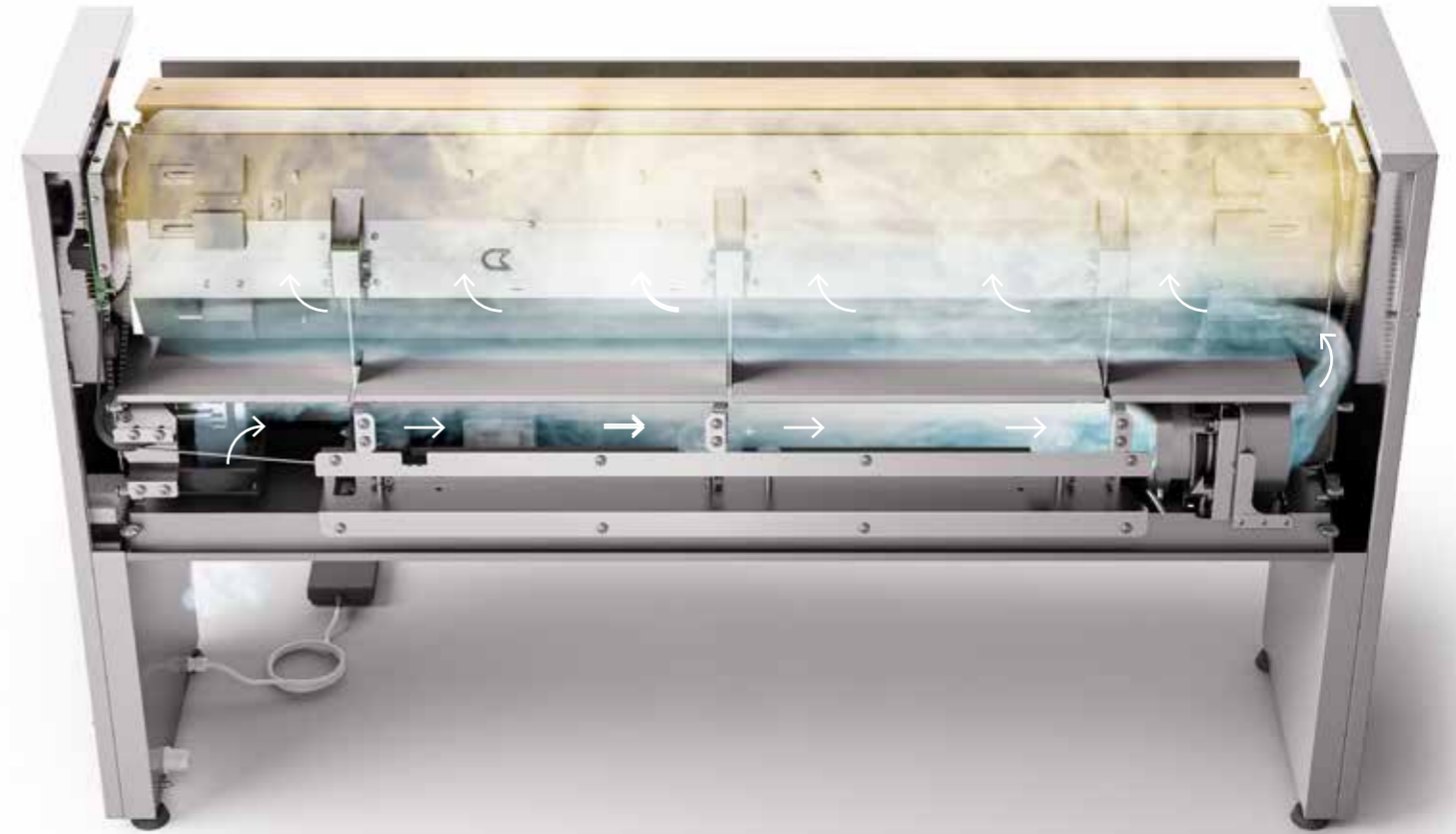
2. There are no systems and components exposed to mechanical wear (no gas, mechanical or pneumatic springs)

5. The control of the safety thermostats is easy reachable for reset

3. You can use a single type of screwdriver for maintenance

SAFETY

Excellent performance requires maximum reliability and safety, which is why we have developed the new **Automatic Thermal Protection System (ATPS)** capable of automatically removing the ironing plate from the linen in the event of a breakdown or power failure.



G1 ironers are also equipped with a **Finger-guard Cooling System (FCS)**, and 2 temperature sensors which, in case of overheating detected by the electronic board, intervene by switching off the heating system. A **double heating activation system**, with two contactors, ensures that in the event of a fault the machine is always in safety.

A MATTER OF MINDSET

The mechanical-structural characteristics of **GI ironers** remain unchanged in the whole range, while the mind changes: for all those businesses that do not require particularly advanced solutions, the **FOX control** system is perfect, thanks to entry level functions, that allow maximum flexibility without the need for special skills or knowledge.

GI version
with **FOX Basic**
control



Side display with
push-button

4 levels temperature

GI version
with **FOX**
control

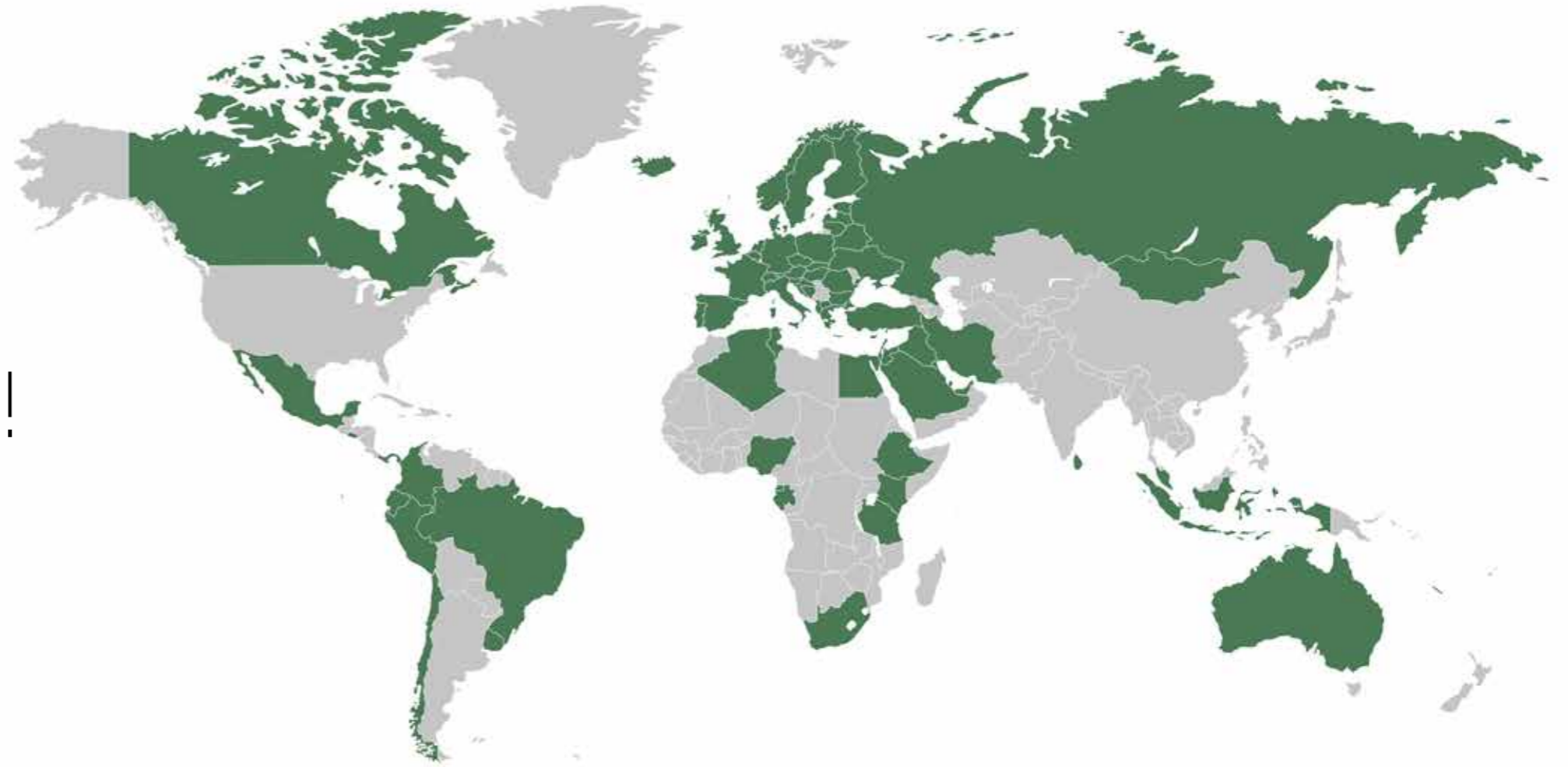


Side display with
push-button

Live customization
of programs
(no recording)

4 levels of speed,
temperature and
thrust management

MACHINES READY TO GO EVERYWHERE!



We've always been open to the world and to the needs of our customers that now, more than ever, they ask us for **speed and convenience**. For this reason we've developed versatile and innovative equipment, ready for different environments, sectors and geographical areas, able to make the job faster, easier and more effective.



PROFESSIONAL
LAUNDRY



NURSING
HOMES



CATERING SERVICE
& RESTAURANT



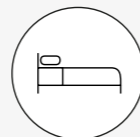
INDUSTRIAL
LAUNDRY



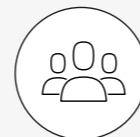
KNITTING
& TEXTILE
INDUSTRY



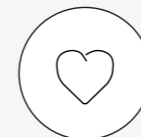
MULTI-HOUSING
LAUNDRY



HOSPITALITY
INDUSTRY



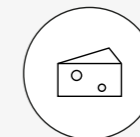
SELF-SERVICE
LAUNDRY



HEALTH CARE
SECTOR



PHARMACEUTICAL
INDUSTRY



FOOD
INDUSTRY

PRODUCT
CHART

FOX CONTROL

D18 Series

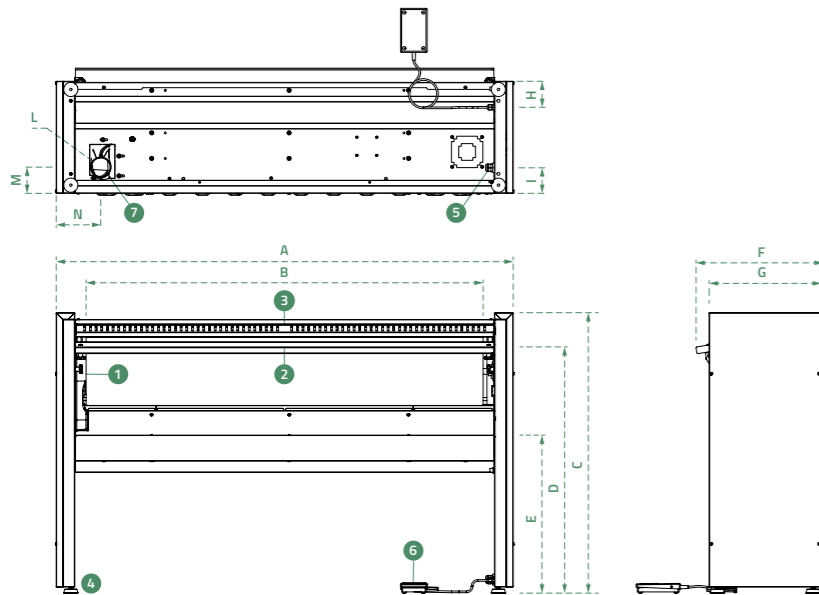
Cylinder diameter
18 cm

- Roller speed control system
- Plate thrust management

GI 1218

Ironing length
120 cm

GI 1418

Ironing length
140 cm

A	Max length	1410 - 1610
B	Max ironing length	1200 - 1400
C	Max height	1070
D	Laundry introduction height	980
E	Collecting basin height	635
F	Max depth	450
G	Frame depth	395
H	Pedal wiring inlet	90
I	Power supply inlet	90
L	Exhaust diameter (Only models GI xx25)	Ø 75mm / 3"
M	Exhaust positioning (Only models GI xx25)	90
N	Exhaust positioning (Only models GI xx25)	160
1	Roller	
2	Adjustable introduction bar made of stabilized wood	
3	Finger protection	
4	Adjustable feet for levelling	
5	Power supply	
6	Movable feet pedal	
7		

Models GI

		GI 1218 E	GI 1218 E VT	GI 1418 E VT	GI 1418 E VT
Capacity	kg/h with 10 ÷ 15% UR max	25	29	34	34
Electronic control	Name	FOX Basic	FOX	FOX	FOX
Roller size	Diameter (mm)	180	180	180	180
	Length (mm)	1200	1200	1400	1400
	Speed (mt/min)	3,0	Variable 1,3 ÷ 3,0	Variable 1,3 ÷ 3,0	Variable 1,3 ÷ 3,0
	External padding	Cotton	Aramide	Cotton	Aramide
Heating basin	Movement by motor	Standard	Standard	Standard	Standard
	Thrust adjustment	NO	Standard	Standard	Standard
	Heating surface (m ²)	0,216	0,216	0,252	0,252
Laundry introduction	Height from floor (mm)	980	980	980	980
Exhaust	Diameter (mm)	Not available	Not available	Not available	Not available
	Flow (m ³ /h)	---	---	---	---

Net and package dimensions

Net dimensions	Width (mm)	1410	1410	1610	1610
	Depth (mm)	395	395	395	395
	Height (mm)	1070	1070	1070	1070
Package dimensions	Width (mm)	1520	1520	1720	1720
	Depth (mm)	530	530	530	530
	Height (mm)	1310	1310	1310	1310
	Volume (m ³)	1,055	1,055	1,194	1,194
Net weight	kg	80	80	87	87
Gross weight	kg	97	97	107	107
Noise	dB	<60	<60	<60	<60

Models with electric heating

Power supply ¹	V / ph / Hz	230-240V 3~50/60Hz			
		380-415V 3~N 50/60Hz			
	V / ph / Hz	440-480V 3~ 60Hz			
Electric thermal power	kW	4,5	4,5	5,4	5,4
Cylinder motor power	kW	0,03	0,03	0,03	0,03
Basin motor power	kW	0,05	0,05	0,05	0,05
Vacuum motor power	kW	---	---	---	---
Total electric power	kW	4,68	4,68	5,58	5,58
Fuse	A	10 ÷ 16	10 ÷ 16	16 ÷ 20	16 ÷ 20

¹ Protection device. Use a "delayed" protection device (Differential with curve D). Residual current (RCD) 100mA, Class B.

PRODUCT CHART

FOX CONTROL

D25 Series

Cylinder diameter
25 cm

- Roller speed control system
- Plate thrust management
- Extractor fan (optional)

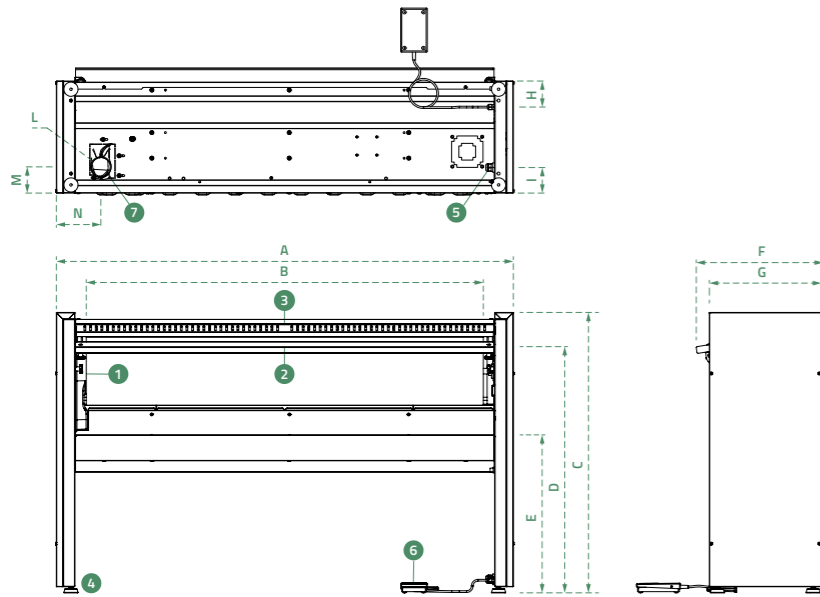
GI 1225

Ironing length
120 cm



GI 1425

Ironing length
140 cm



A	Max length	1410 - 1610
B	Max ironing length	1200 - 1400
C	Max height	1070
D	Laundry introduction height	980
E	Collecting basin height	635
F	Max depth	450
G	Frame depth	395
H	Pedal wiring inlet	90
I	Power supply inlet	90
L	Exhaust diameter (Only models GI xx25)	Ø 75mm / 3"
M	Exhaust positioning (Only models GI xx25)	90
N	Exhaust positioning (Only models GI xx25)	160
1	Roller	
2	Adjustable introduction bar made of stabilized wood	
3	Finger protection	
4	Adjustable feet for levelling	
5	Power supply	
6	Movable feet pedal	

Models GI

		1225 EVT	1225 EAVT	1225 EAVTM	GI 1425 EVT	GI 1425 EAVT	1425 EAVTM
Capacity	kg/h with 10 ÷ 15% UR max	37	37	37	41	41	41
	kg/h with 20% UR max	25	32	32	27	37	37
	kg/h with 30% UR max	---	---	26	---	---	30
Electronic control	Name	FOX	FOX	FOX	FOX	FOX	FOX
	Roller size						
	Diameter (mm)	250	250	250	250	250	250
	Length (mm)	1200	1200	1200	1400	1400	1200
	Speed (mt/min)	Variable 1,6 ÷ 3,6	Variable 1,6 ÷ 3,6	Variable 1,6 ÷ 3,6	Variable 1,6 ÷ 3,6	Variable 1,6 ÷ 3,6	Variable 1,6 ÷ 3,6
	Internal padding	Steel wool	Steel wool	Maxpress®	Steel wool	Steel wool	Maxpress®
	External padding	Cotton	Aramide	Aramide felt	Cotton	Aramide	Aramide felt
Heating basin	Basin movement	By motor	By motor	By motor	By motor	By motor	By motor
	Thrust adjustment	Standard	Standard	Standard	Standard	Standard	Standard
	Heating surface (m²)	0,264	0,264	0,264	0,308	0,308	0,308
Laundry introduction	Height from floor (mm)	980	980	980	980	980	980
Exhaust	Diameter (inches)	Not available	3"	3"	Not available	3"	3"
	Max length (m)	---	15	15	---	15	15
	Flow (m³/h)	---	95	95	---	95	95

Net and package dimensions

Net dimensions	Width (mm)	1410	1410	1410	1610	1610	1610
	Depth (mm)	395	395	395	395	395	395
	Height (mm)	1070	1070	1070	1070	1070	1070
Package dim.	Width (mm)	1520	1520	1520	1720	1720	1720
	Depth (mm)	530	530	530	530	530	530
	Height (mm)	1310	1310	1310	1310	1310	1310
	Volume (m³)	1,055	1,055	1,055	1,194	1,194	1,194
Net weight	kg	89	94	101	99	104	112
Gross weight	kg	106	111	118	119	124	132
Noise	dB	<60	62	62	<60	62	62

Models with electric heating

Power supply ¹	V / ph / Hz	230-240V 3~50/60Hz					
		380-415V 3~N 50/60Hz					
Electric thermal power	kW (kW as option)	440-480V 3~ 60Hz					
				6	7,2 (6)	7,2 (6)	7,2 (5,4)
Cylinder motor power	kW	0,03	0,03	0,03	0,03	0,03	0,03
Basin motor power	kW	0,05	0,05	0,05	0,05	0,05	0,05
Vacuum motor power	kW	---	0,17	0,17	---	0,17	0,17
Total electric power	kW	6,08	7,45 (6,25)	7,45 (6,25)	7,28 (5,48)	8,65 (7,45)	8,65 (7,45)
Fuse	A	16 ÷ 20	16 ÷ 20	16 ÷ 20	25 ÷ 32	25 ÷ 32	25 ÷ 32

¹ Protection device. Use a "delayed" protection device (Differential with curve D). Residual current (RCD) 100mA, Class B.

PROFESSIONAL TEXTILE CARE SINCE 1972

50 YEARS OF
CLEANESS
1972·2022

Our products – from the professional equipment for small self-service laundries to the bigger industrial machines – are characterized by maximum reliability, high quality, durability, low consumption and reduced maintenance costs.

Our company has been working in the laundry industry since 1972, producing of a full range of machines and equipment for wet cleaning, drying, ironing and the general treatment of linen.

Within a district of mechanical processing excellence, we have been able to take advantage of the high specialization and professionalism achieved by some local companies, assigning them the realization of some components but managing directly the R&D, the design, the assembly and the quality control. Since our foundation we have always paid great attention to innovation, design, ergonomics and maximum energy efficiency.



1972

The journey in the professional laundry sector begins.

1984

Here comes the electromechanical timer tailored for the laundry.

1997

The innovative skinplate enters in the laundry industry.

1998

The new ironers with the anodized extruded aluminum plate are born.

1999

Installation, first on the market, of an electronic temperature control board on ironers.

2001

The CE (electronic control) replaces the traditional timer on the washing machine.

2002

Development of G900 keyboard programmable laundry control.

2007

DWS (dynamic weighing system) is born. Development of G400, G400M and G400DRY controls.

2008

Creation of the Drying Diagram.

2012

GUIDO, G4-Wiz and G-Wiz controls arrive on the market.

2013

Green Excellence Award. Reddot Design Award.



2016

Wavy and the IOT enter the laundry world.

2017

The new user friendly interface Wavy wins the Smart Lable and the Reddot Awards.



2020

ISO45001 certification on occupational health and safety management systems.

2022

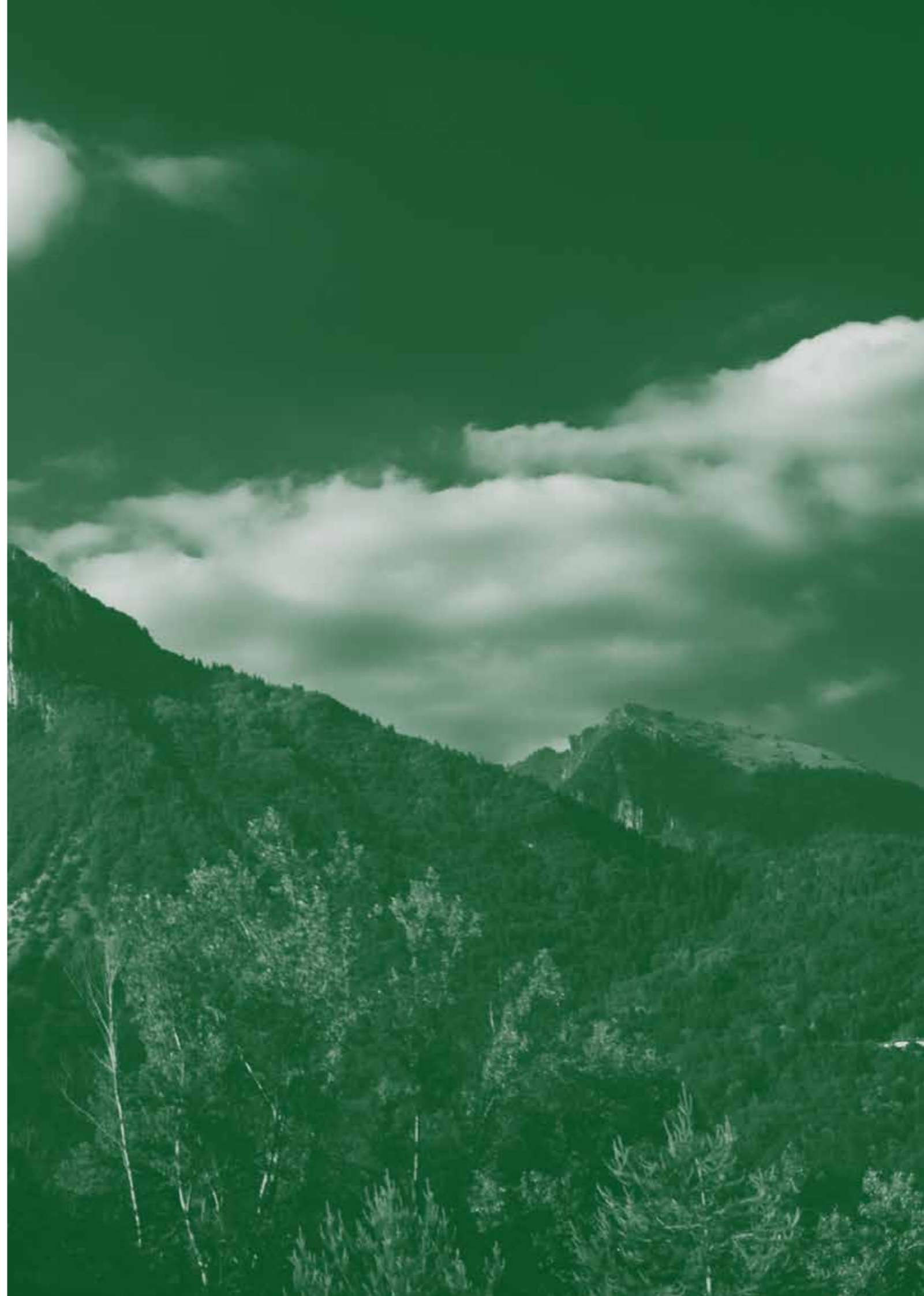
The new GI ironers and GD 800-1000-1200-1550 Wavy dryers enter into the laundry world.



COMPANY WITH
MANAGEMENT SYSTEM
CERTIFIED BY DNV GL
= ISO 9001 =
= ISO 14001 =
= ISO 45001 =

Grandimpianti I.L.E
— Aligroup S.r.l. a Socio Unico

an Ali Group Company



Grandimpianti I.L.E
— Aligroup S.r.l. a Socio Unico

Via Giuseppe e Augusta Trevisson, 5
32037 Sospirolo (BL) Italy
p. +39 0437 848711
f. +39 0437 879108

www.grandimpianti.com
info@grandimpianti.com

