

HIGHLY EFFICIENT SOFT MOUNTED WASHER EXTRACTORS

FX
RANGE

FX 65	FX 80	FX 105	FX 135
6,5KG 13LB	7,5KG 18LB	10,5KG 24LB	13,5KG 31LB



FEATURES

- Freestanding, high spin (up to 1165 RPM - FX65,80)
- Stainless steel top panel & Anthracite grey front and side panels
- Stainless steel drum and tub
- Xcontrol - easy to use microprocessor
- Patented Soap Hopper
- Large drain valve (Ø 76 mm)
- Easy access to all vital parts from the front
- Large door opening for easy loading & unloading

OPTIONS

- Xcontrol Plus - Fully programmable
- Coin operated timer (CPS)
- Stainless steel front and side panels
- USB + RS485 plug (on the back panel)
- Easy Soap - liquid soaps connection
- Liquid soap pumps
- Water recovery kit
- Steam heating version
- Drain pump (FX65, 80)
- 3rd water inlet



ERGONOMICAL
CONSTRUCTION



LARGE DOOR
OPENING

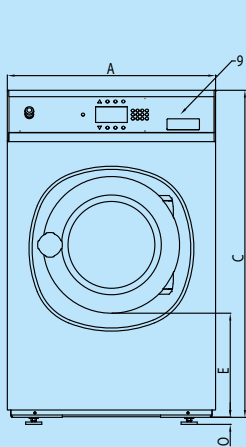


LOW WATER
AND ENERGY
CONSUMPTION

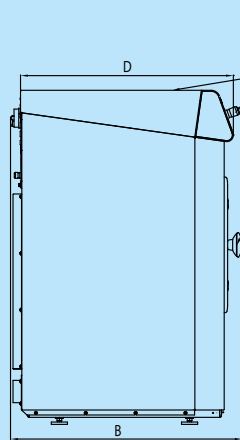


GET AHEAD IN LAUNDRY+

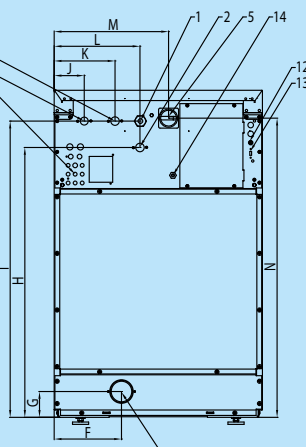
TYPE		FX65	FX80	FX105	FX135
INNERDRUM					
maximum capacity 1:9	kg (lb)	7 (15)	9 (20)	12 (26)	15 (33)
capacity 1:10	kg (lb)	6,5 (13)	7,5 (18)	10,5 (24)	13,5 (31)
volume	litres	65	75	105	135
diameter	mm	530	530	620	620
DRUM SPEED					
wash	rpm	49	49	49	49
extraction	rpm	1165	1165	1075	1075
G-FACTOR					
		400	400	400	400
HEATING					
electricity (standard)	kW	6 / 9	6 / 9	6 / 9 / 12	9 / 12
steam	bar	1 - 8	1 - 8	1 - 8	1 - 8
hot water	°C	90	90	90	90
Sound pressure level	dB (A)	< 65	< 65	< 65	< 65
Water valves connection	BSP	3/4"	3/4"	3/4"	3/4"
Water pressure	kPa	100-800	100-800	100-800	100-800
Rec. water pressure	kPa	300-500	300-500	300-500	300-500
Water inlet	l/min	20	20	20	20
Drain valve	outer Ø mm	76	76	76	76
Flow amount with drain valve	l/min	210	210	210	210
Steam valve connection	BSP	1/2"	1/2"	1/2"	1/2"
Steam pressure	kPa	100-800	100-800	100-800	100-800
DIMENSIONS					
Size H×W×D	mm	1115×710×740	1115×710×790	1225×795×795	1225×795×945
Net weight	kg	170	185	210	255
TRANSPORT DATA					
Packed H×W×D	mm	1245×750×840	1245×750×840	1345×835×840	1345×835×985
Gross weight	kg	180	200	235	275



Front side



Left side



Rear side

- 1 Electrical connection
- 2 Hot water
- 3 Cold water hard
- 4 Cold water soft
- 5 Main switch
- 6 Liquid soap connection
- 7 Drain
- 8 Soap dispenser
- 9 Control panel
- 10 Button CENTRALSTOP
- 11 Door opening, FX65, FX80: Ø 330mm; FX105, FX135: Ø 410mm
- 12 Fuses
- 13 USB port
- 14 Electrical connection to liquid soap pumps

DIMENSIONS

	A	B	C	D	E	F	G	H	I	J	K	L	M	N	O
FX65	710	740	1115	676	349	230	82	914	1004	113	218	293	390	1020	24
FX80	710	790	1115	726	349	230	88	920	1010	113	218	293	390	1020	24
FX105	795	795	1225	761	342	230	88	1030	1120	103	208	293	475	1130	24
FX135	795	945	1225	911	342	230	88	1030	1120	103	208	293	475	1130	24
	width	depth	height												

		FX80
Water consumption	l/kg	6,6
Electricity consumption	kWh/kg	0,18

* Program No 11



WATCH
THE FX VIDEO

www.bit.ly/videofx



The company preserves the right to change the machines and the specification in this leaflet at any time, without prior notice. Details and photographs are only for information and never binding.

www.primuslaundry.com

Primus by Alliance Laundry Systems

