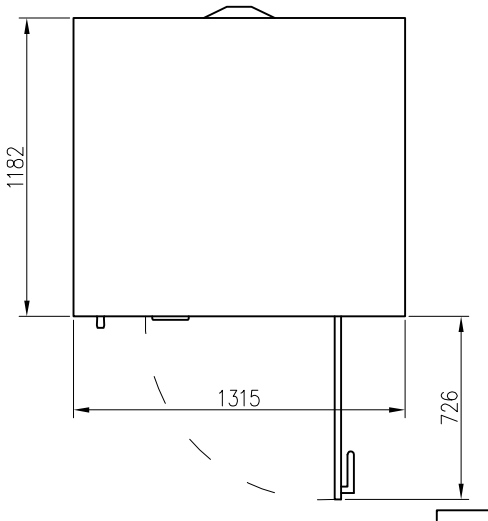
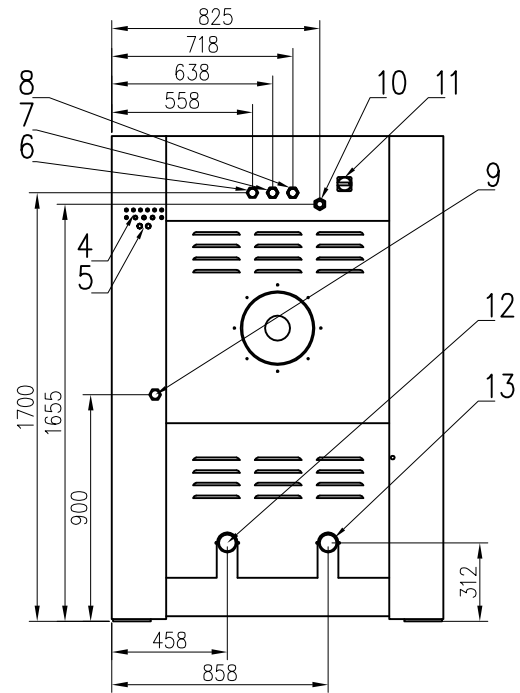
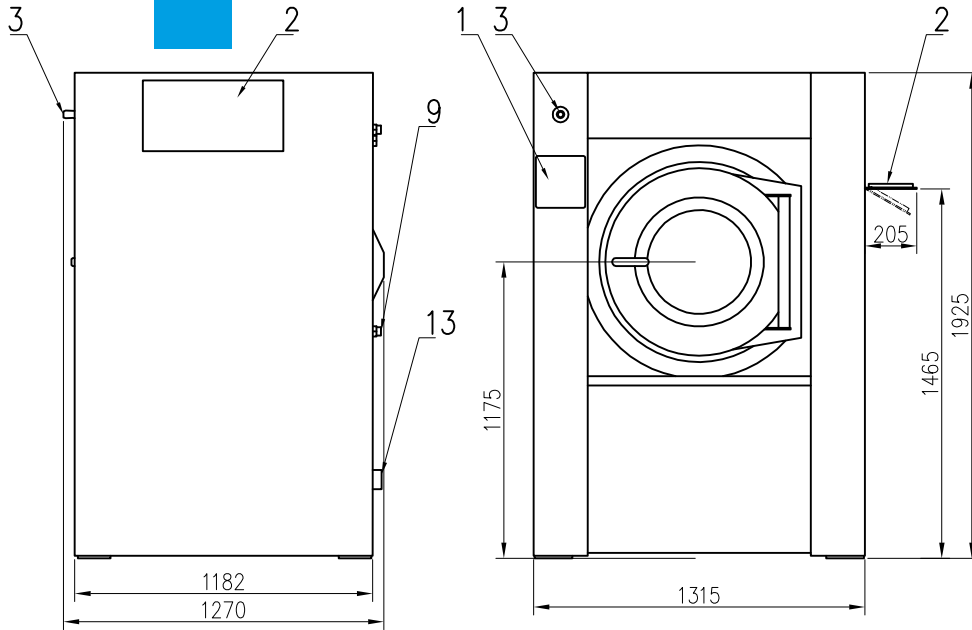
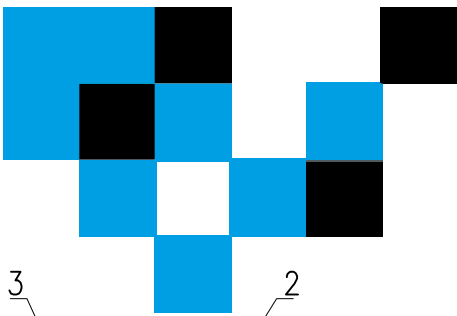


FX 350



LEGEND:

1. Control panel
2. Soap dispenser
3. Centralstop button
4. Liquid soap connection
5. Recycled water inlet (option)
6. Hard cold water inlet
7. Hot water inlet
8. Soft cold water inlet
9. Steam inlet (steam version)
10. Electrical connection
11. Main switch
12. Drain outlet
13. Drain outlet (recycle valve - option)

Capacity	35 kg
Inner drum dimensions	
diameter	914 mm / 36"
depth	535 mm / 21.1"
drum volume	351 l
Drum revolutions	
wash	38 rpm
high extraction	839 rpm
G-factor	360
Weight	
netto	1010 kg / 2227 lb
shipping weight	1150 kg / 2535 lb
Max. static load (with textile and water)	13 kN
Max. dynamic load (intermittent vibrations)	10.59 ± 3.28 kN
Frequency of dynamic load	14 Hz

Electrical specification

Voltage (pos.11 in model number)	3x380-415V 50Hz (P)
Rated motor power	4 kW
Rated heating power input	24 kW
Rated input power of the machine - with heat.	26.5 kW
- without el. heating	4.3 kW
Circuit breaker - with el. heating	50 A
- without el. heating	16 A
Recommended Residual Current Device	100 mA, type B (for details see manual)

Water, Drain and Steam Specifications

Water inlet connection size	3x 1"
Water pressure	0.3 – 0.5 MPa
Drain connection size - gravity	2x 76 mm
Flow volume through drain valve	2x 210 l/min
Steam inlet connection size (model with steam heating)	3/4"
Steam pressure	0.3 – 0.8 MPa
Liquid detergents connection parts	5x 11.5mm + 3x 14.5mm external diameter

