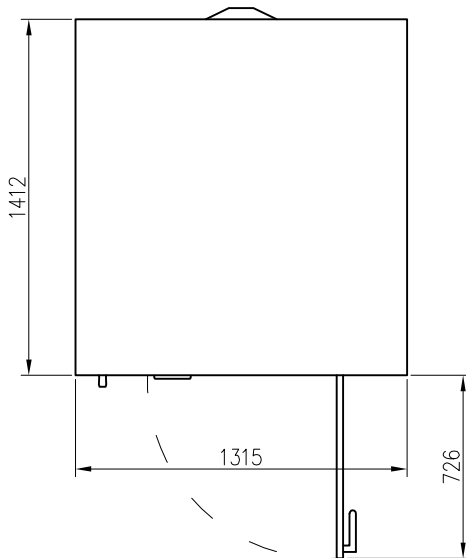
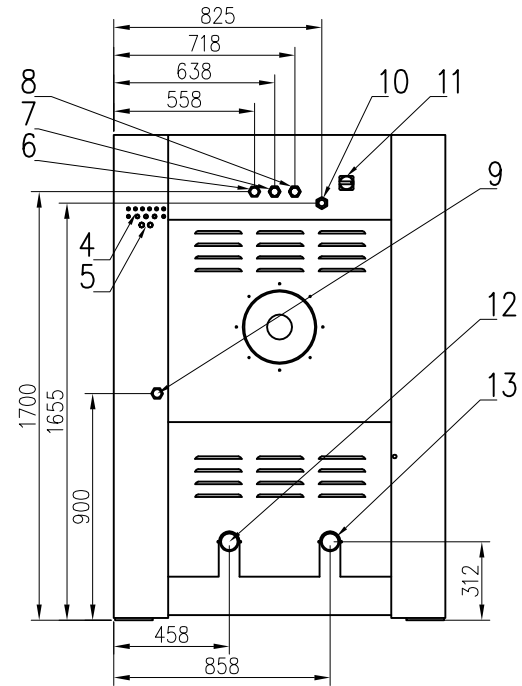
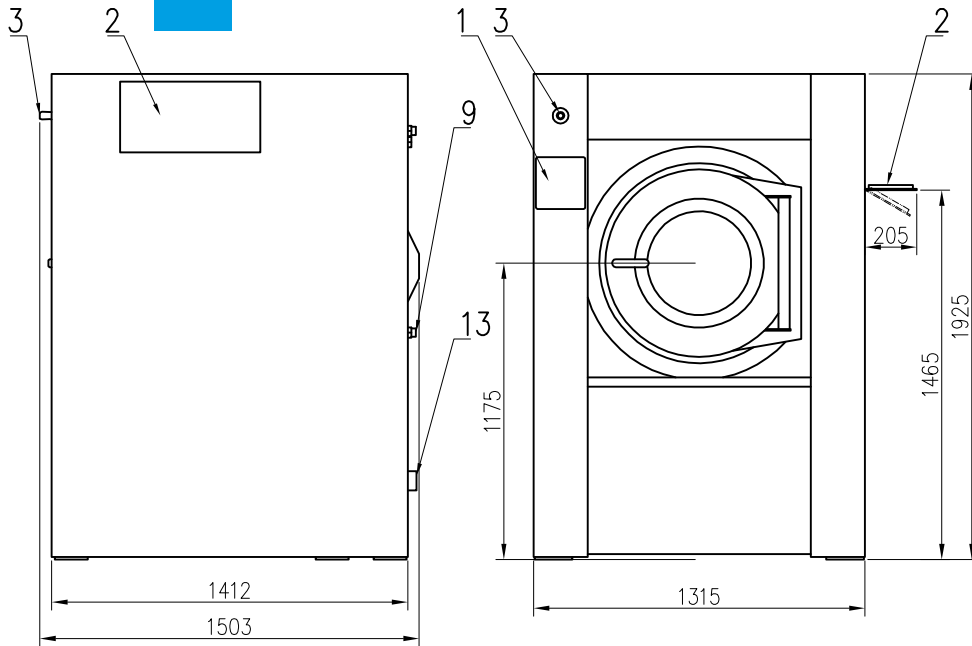
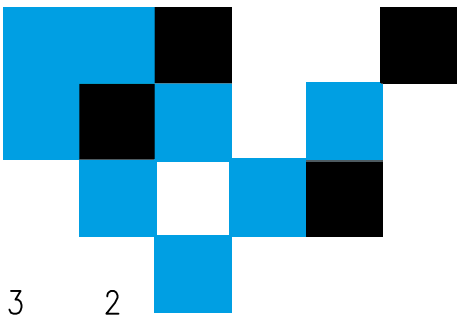


FX 600



LEGEND:

1. Control panel
2. Soap dispenser
3. Centralstop button
4. Liquid soap connection
5. Recycled water inlet (option)
6. Hard cold water inlet
7. Hot water inlet
8. Soft cold water inlet
9. Steam inlet (steam version)
10. Electrical connection
11. Main switch
12. Drain outlet
13. Drain outlet (recycle valve - option)

Capacity	60 kg
Inner drum dimensions	
diameter	1035 mm / 40.7"
depth	715 mm / 28.15"
drum volume	601 l
Drum revolutions	
wash	36 rpm
high extraction	788 rpm
G-factor	360
Weight	
netto	1500 kg / 3307 lb
shipping weight	1640 kg / 3616 lb
Max. static load (with textile and water)	19.72 kN
Max. dynamic load (intermittent vibrations)	15.89 ± 4.97 kN
Frequency of dynamic load	13.1 Hz

Electrical specification

Voltage (pos.11 in model number)	3x380-415V 50Hz (P)
Rated motor power	7.5 kW
Rated heating power input	54 kW
Rated input power of the machine - with heat.	58 kW
- without el. heating	7.8 kW
Circuit breaker - with el. heating	100 A
- without el. heating	20 A
Recommended Residual Current Device	100 mA, type B (for details see manual)

Water, Drain and Steam Specifications

Water inlet connection size	3x 1"
Water pressure	0.3 – 0.5 MPa
Drain connection size - gravity	2x 76 mm
Flow volume through drain valve	2x 210 l/min
Steam inlet connection size (model with steam heating)	3/4"
Steam pressure	0.3 – 0.8 MPa
Liquid detergents connection parts	5x 11.5mm + 3x 14.5mm external diameter

